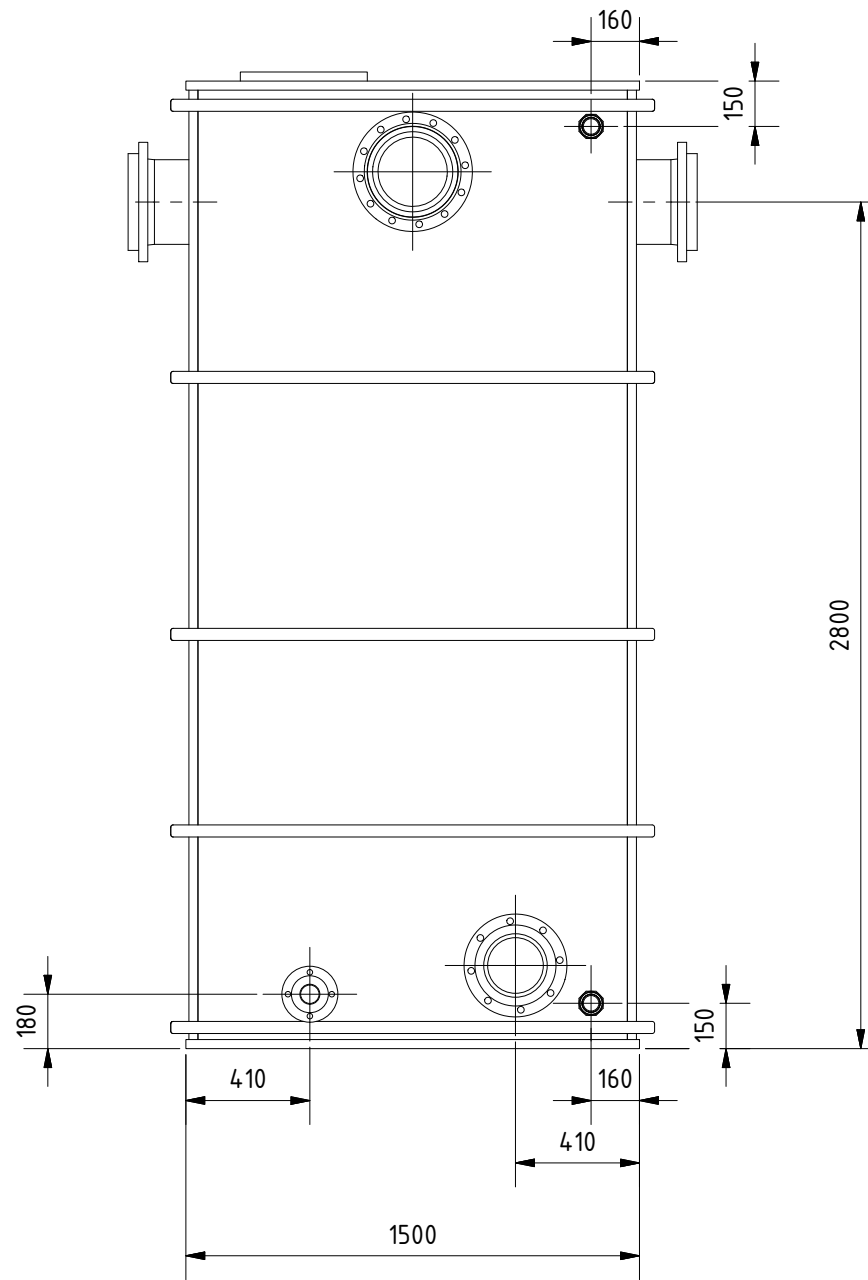
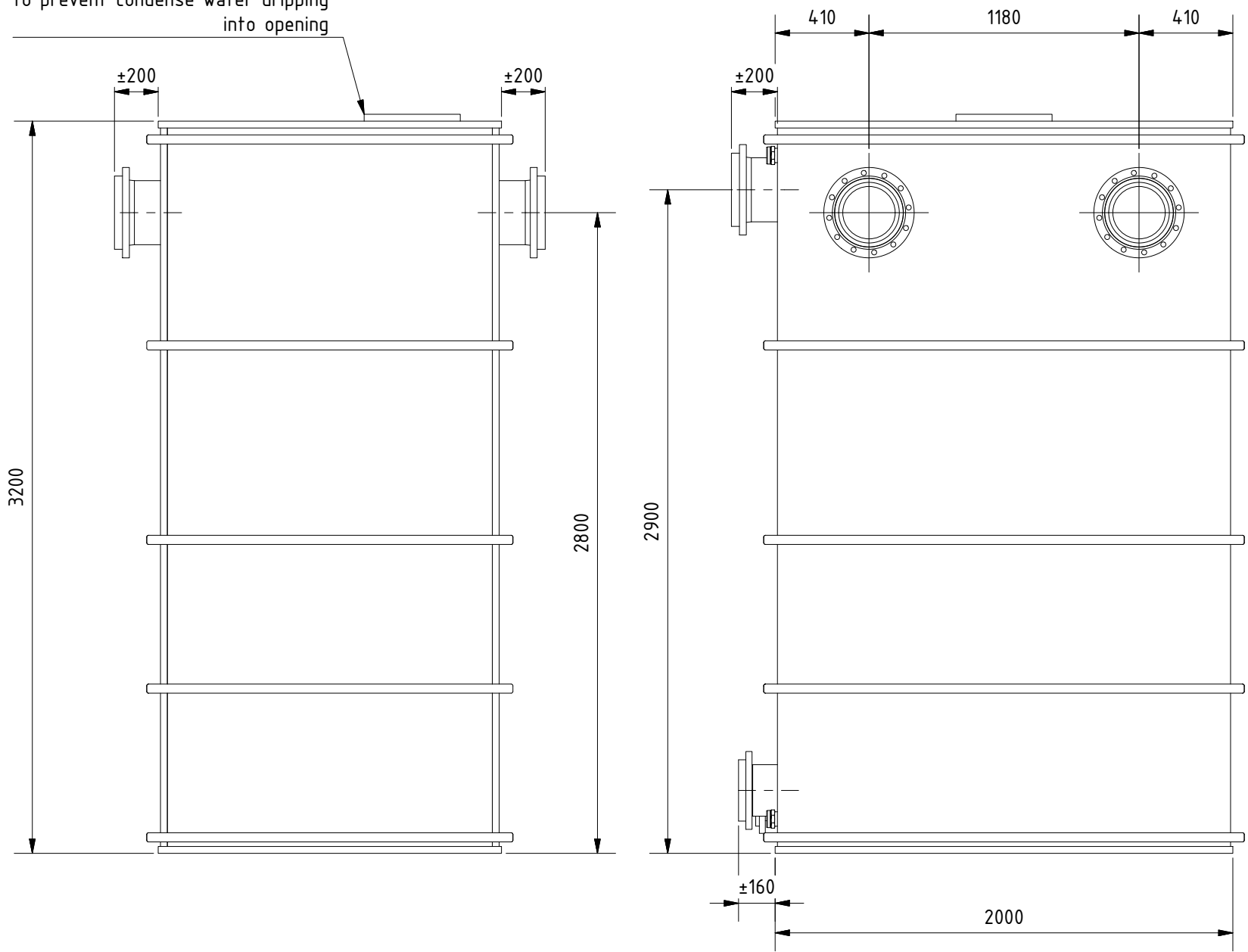
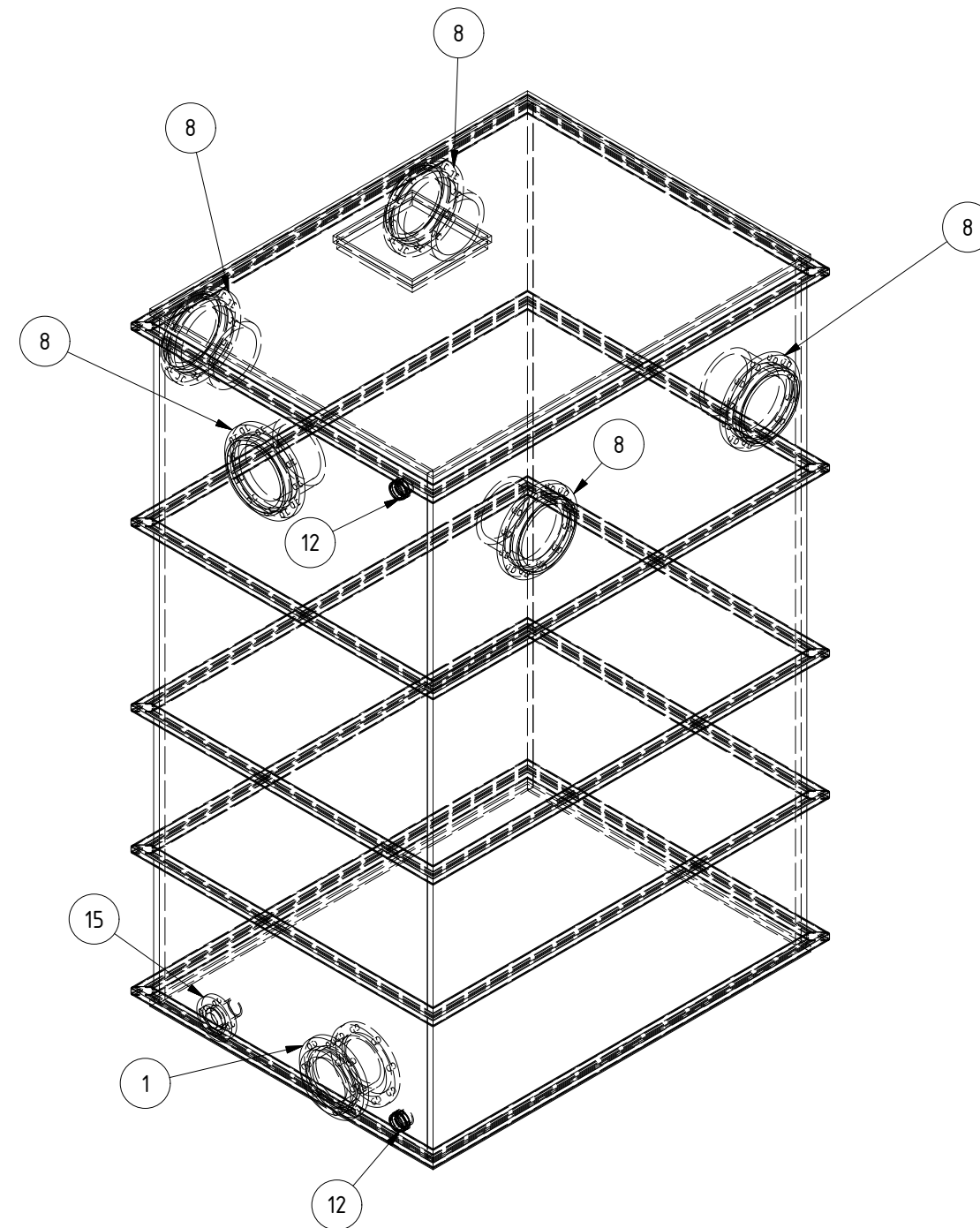
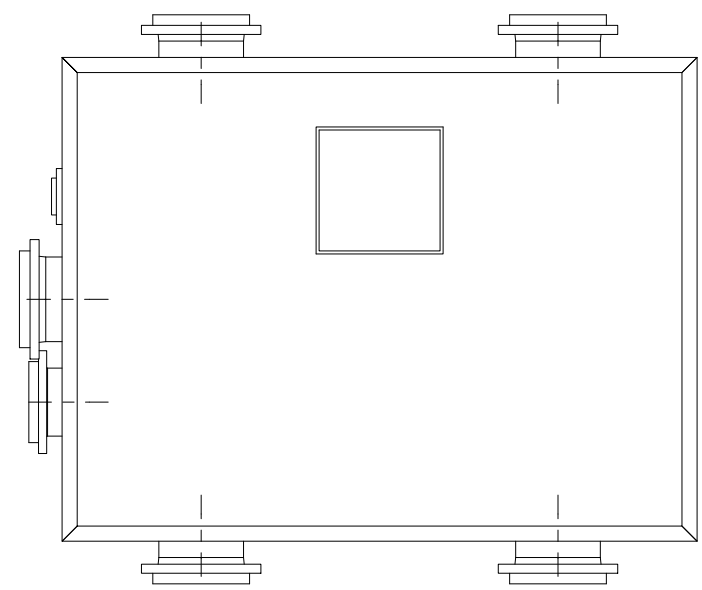
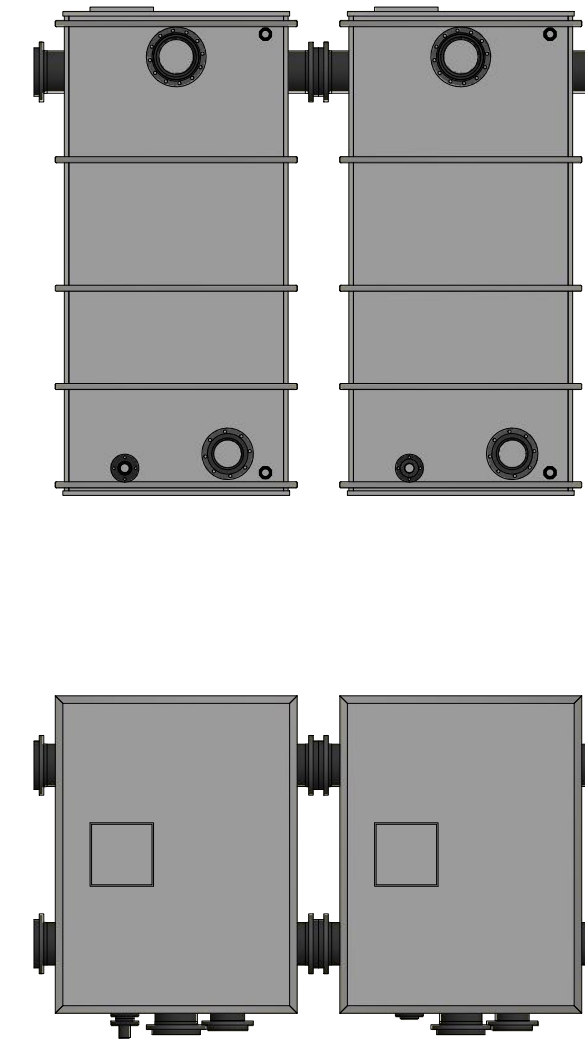


keep manhole cover ± 30 mm higher to prevent condense water dripping into opening



2 TANKS CONNECTED



PARTS LIST				
ITEM	QTY	SUPPLIER	PART NUMBER	DESCRIPTION
1	2	GF	727700220	Backing Flanges, PP_Steel for Socket Systems Metric_d225
8	5	GF	727700222	Backing Flanges, PP_Steel for Socket Systems Metric_d280
11	5	GF	753800022	Flange adaptor Type LS, SDR11, d280
12	2	GF	753910271	Adapter Socket, PE100 SDR11, d63-Rp 2" (f)
13	1	GF	753800020	Flange adaptor Type LS, SDR11, d225
14	1	GF	753800012	Flange adaptor Type LS, SDR11, d75
15	1	GF	727700412	Backing Flanges, PP-V for Socket Systems Metric, d75

MEDIUM: WATER
 DENSITY: 1000 kg/m³
 TEMPERATURE: 5 - 37°C
 INSTALLATION: INDOOR ON FLAT CONCRETE
 2 TANKS WILL BE CONNECTED VIA THE TWO TOP d280 FLANGES

	DATE	NAME	SIGN.
DRAWN	05.10.2016	OH	
CHECKED			
APPROVED			

COMPANY CONFIDENTIAL
 This information is property of and is furnished for use the assigned recipient only. No copies are to be made and the material contained herein is not to be divulged to others, either within or outside without specific approval of an officer

3rd ANGLE PROJECTION	SHEET SIZE	FILE NAME
	A2	VWT FILTRATE TANK 002.dwg

DRAWING TITLE
GENERAL CONSTRUCTION DRAWING FILTRATE TANK - DUAL TANK SETUP

PROJECT	PAGE (PAGE(S))
ALPRO WWTP	1
PROJECT NUMBER 12008110004	(1)