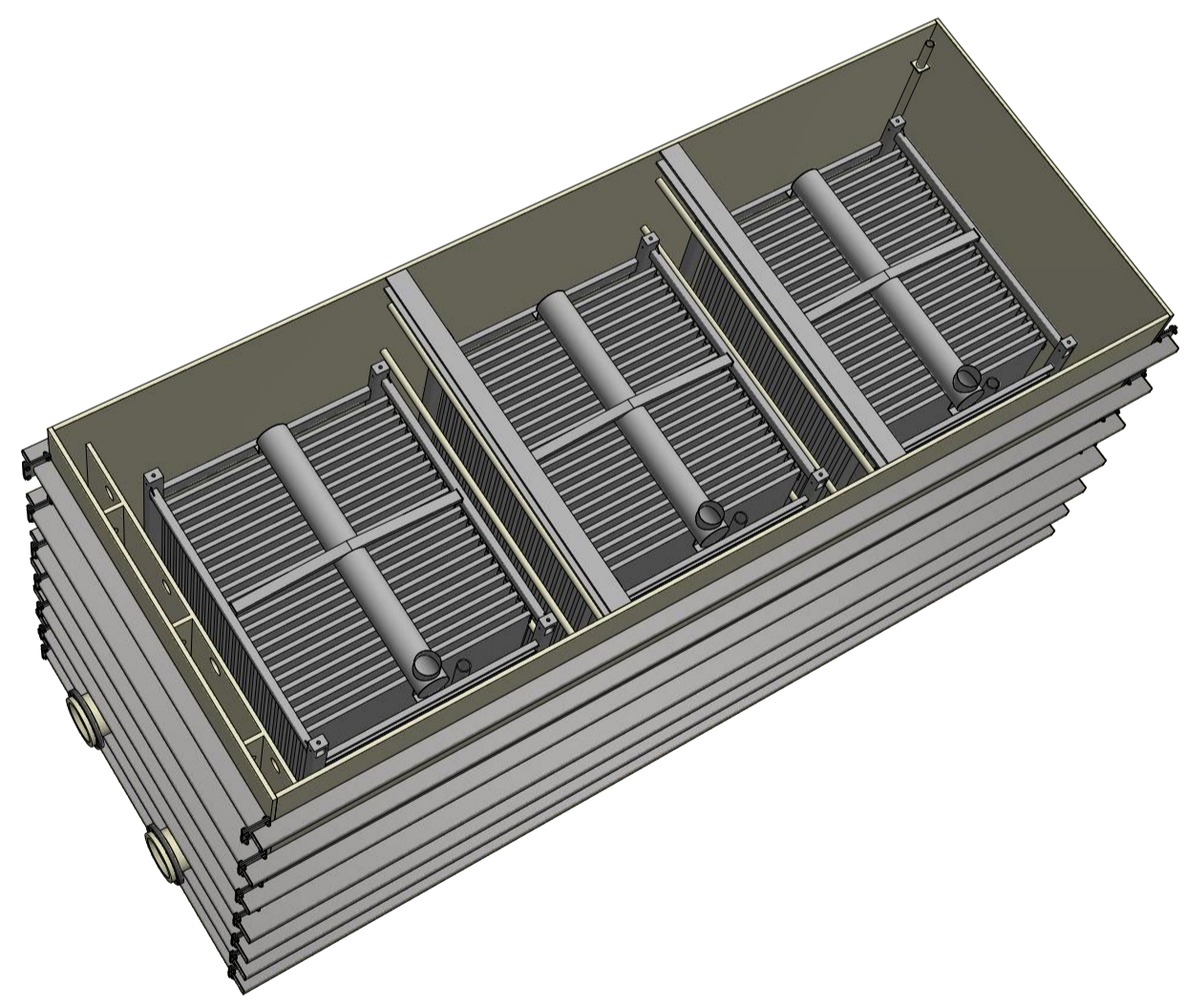
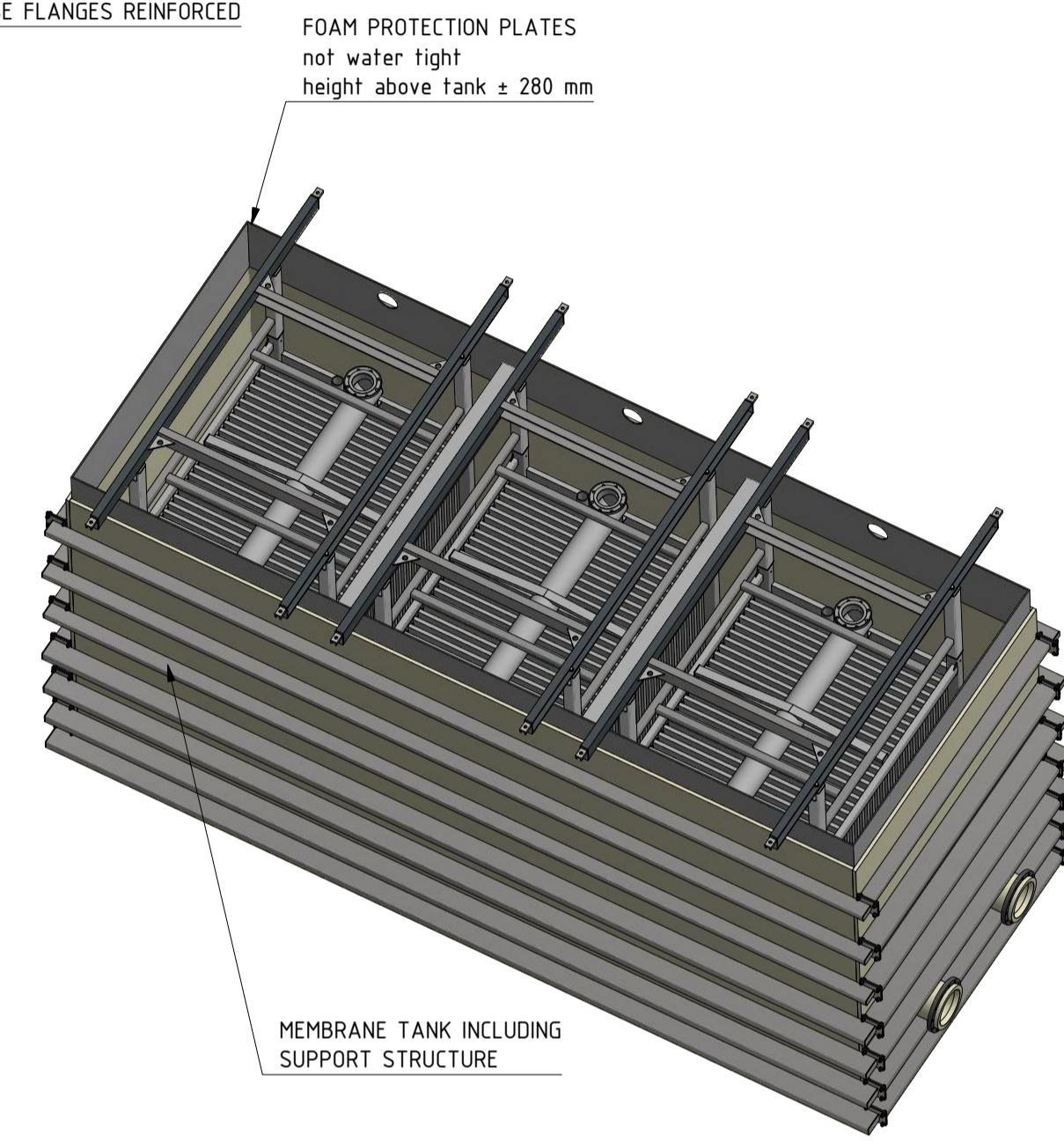


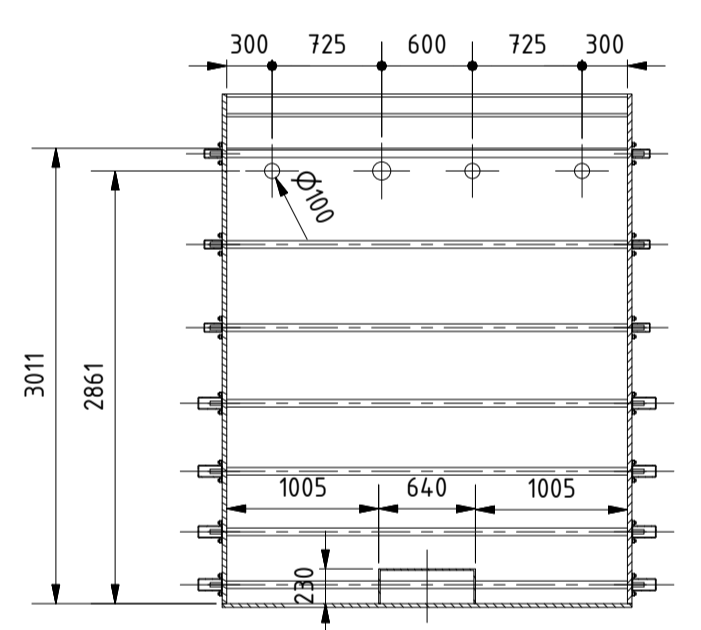
FLANGES NEED TO FIT IN BETWEEN THE TWO PROFILES

FLANGES NEED TO FIT IN BETWEEN THE TWO PROFILES

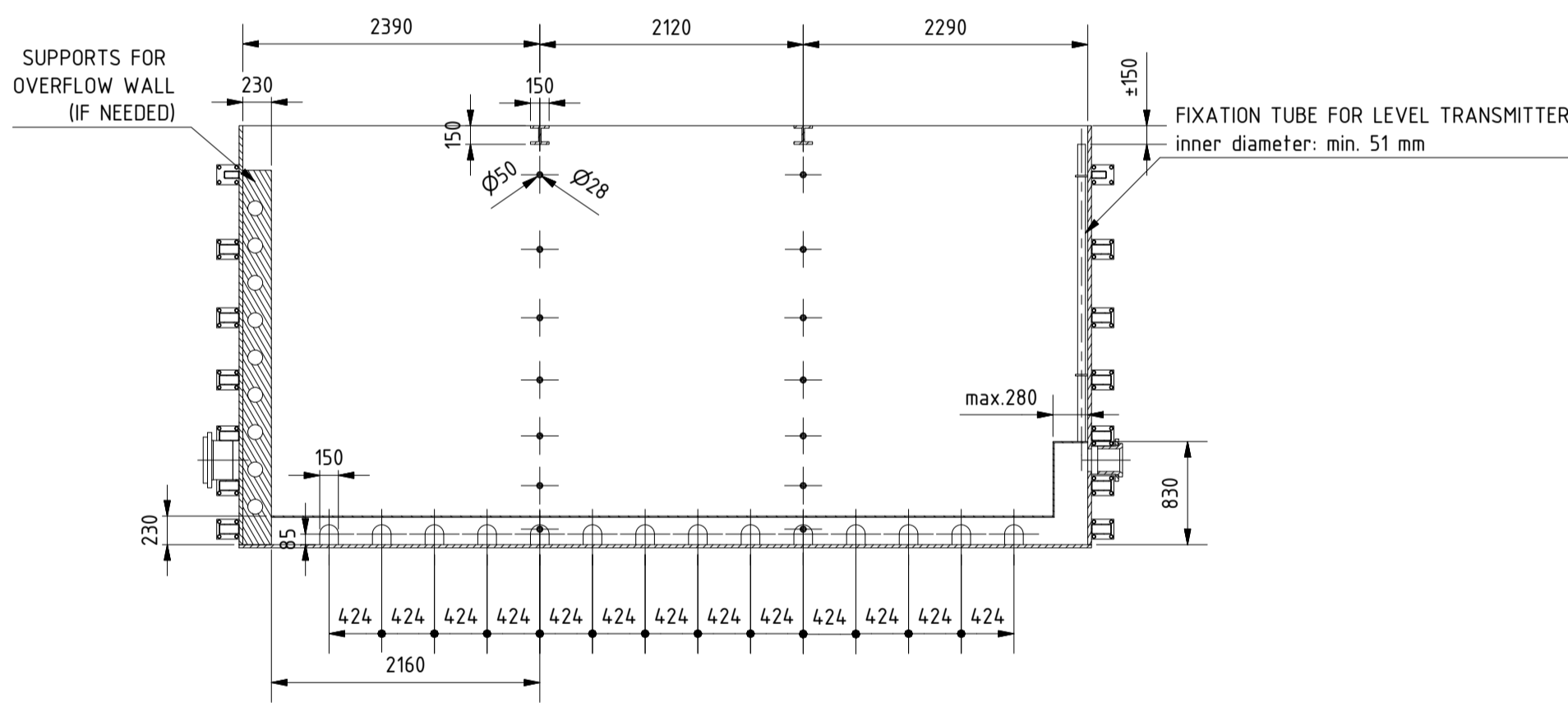
FLANGES NEED TO FIT IN BETWEEN THE TWO PROFILES



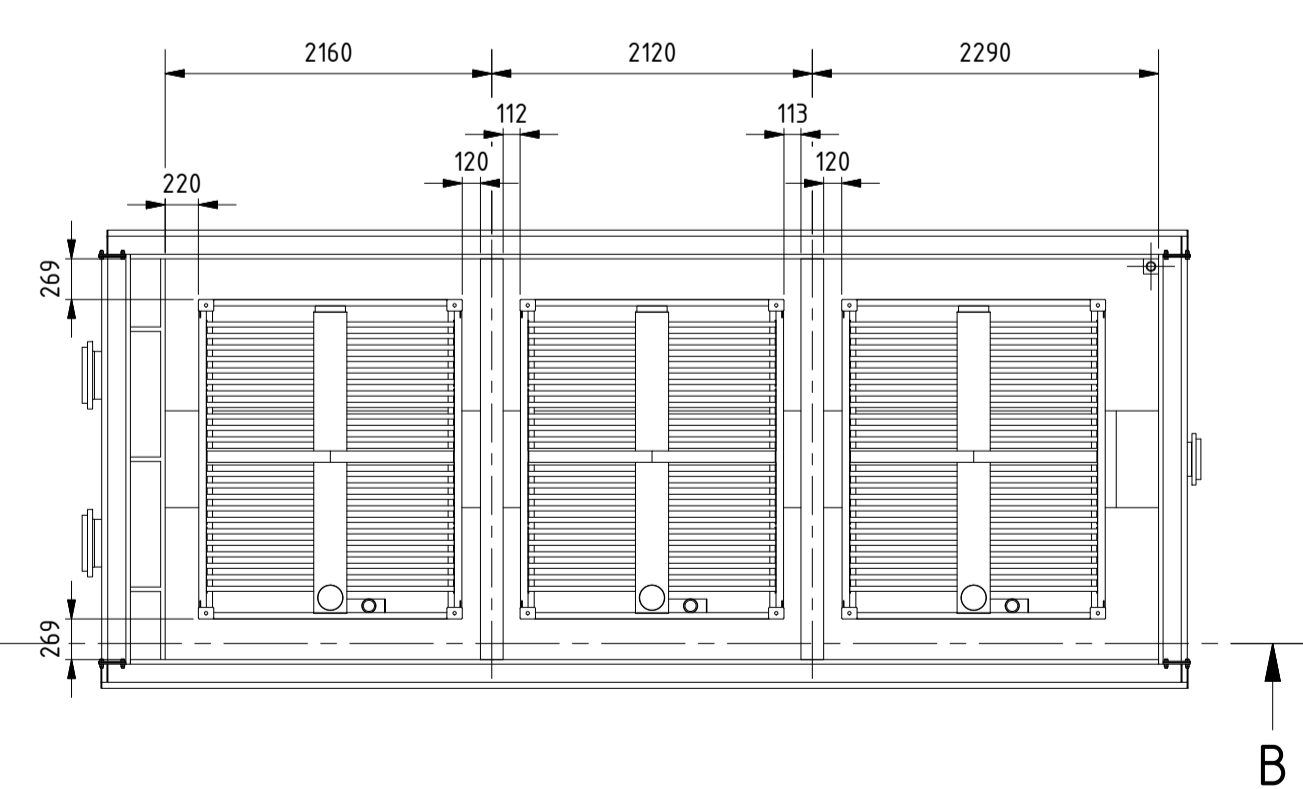
C-C (1 : 50) OVERFLOW



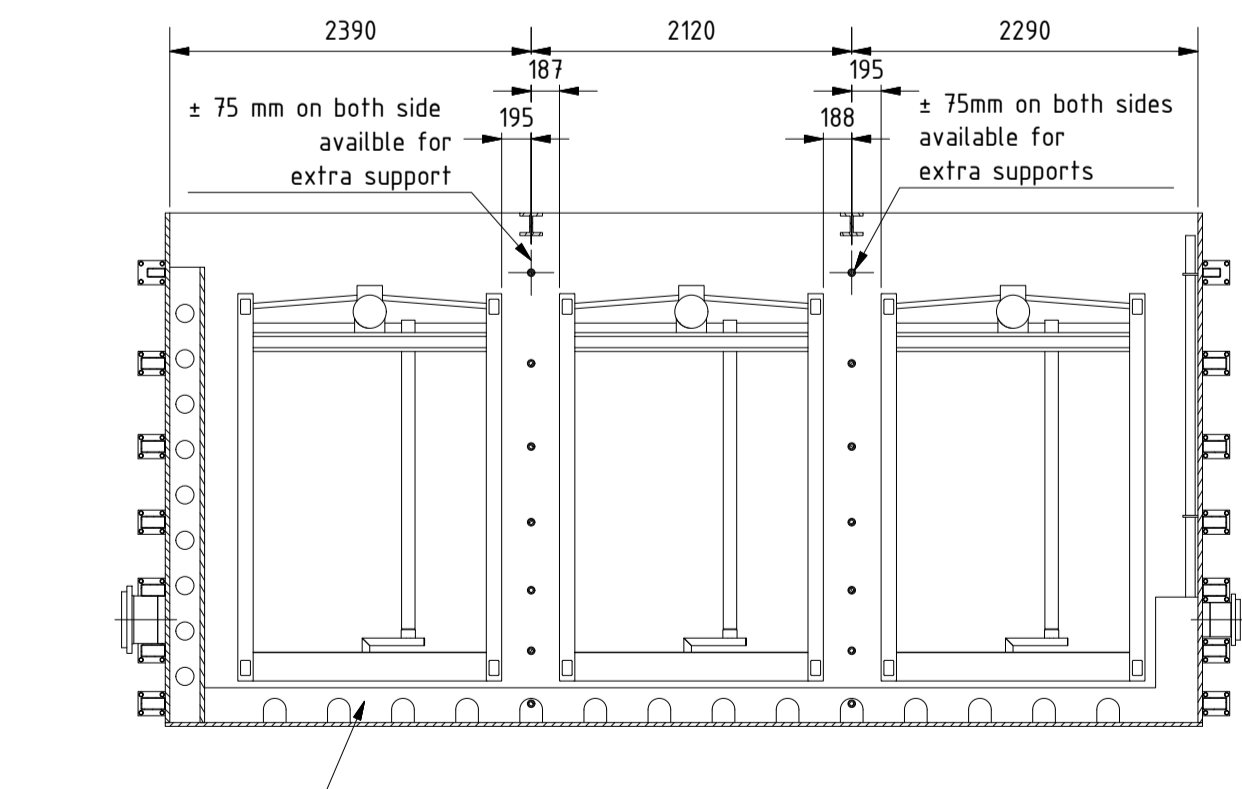
A-A (1 : 50) WITHOUT MEMBRANES



TOP VIEW WITH MEMBRANES



B-B (1 : 50) VIEW WITH MEMBRANES



REVISION HISTORY			
REV	DESCRIPTION	DATE	APPROVED
1	extra measurements added		OH
2	H-ENFORCEMENT PROFILES		OH

	DATE	NAME	SIGN
DRAWN	07.10.2016	OH	
CHECKED			
APPROVED			

COMPANY CONFIDENTIAL
This information is property of is furnished for use of the assigned recipient only. No copies are to be made and the material contained herein is not to be divulged to others, either within or outside without specific approval of an officer.

TANK FOR OUTSIDE INSTALLATION
ALL MATERIALS IN CONTACT WITH MEDIUM: PP
FLANGES ARE LOOSE AND REINFORCED FLANGES (SUGGESTED GEORF FISCHER ART.-NOS ARE LISTED)
MAX. LIQUID TEMPERATURE: 37.0°C
MAX. LIQUID HEIGHT MEMBRANE COMPARTMENT: 3100 mm
MIN. LIQUID HEIGHT OVERFLOW COMPARTMENT: 0 mm
TANKS WILL BE LIFTED BY CRANE - LIFTING LUGS REQUIRED!
SUPPORT STRUCTURE AND TANK SIZING: ACCORDING STATIC ANALYSIS Aqua IMPEX s.r.o. from 03/10/2023 CALCULATED LIFETIME: 20 YEARS
TANK STANDING ON FLAT CONCRETE SLAP

PROJECT	PAGE SPAGINA
ALPRO WWTP	1
PROJECT NUMBER 12008110004	1/1