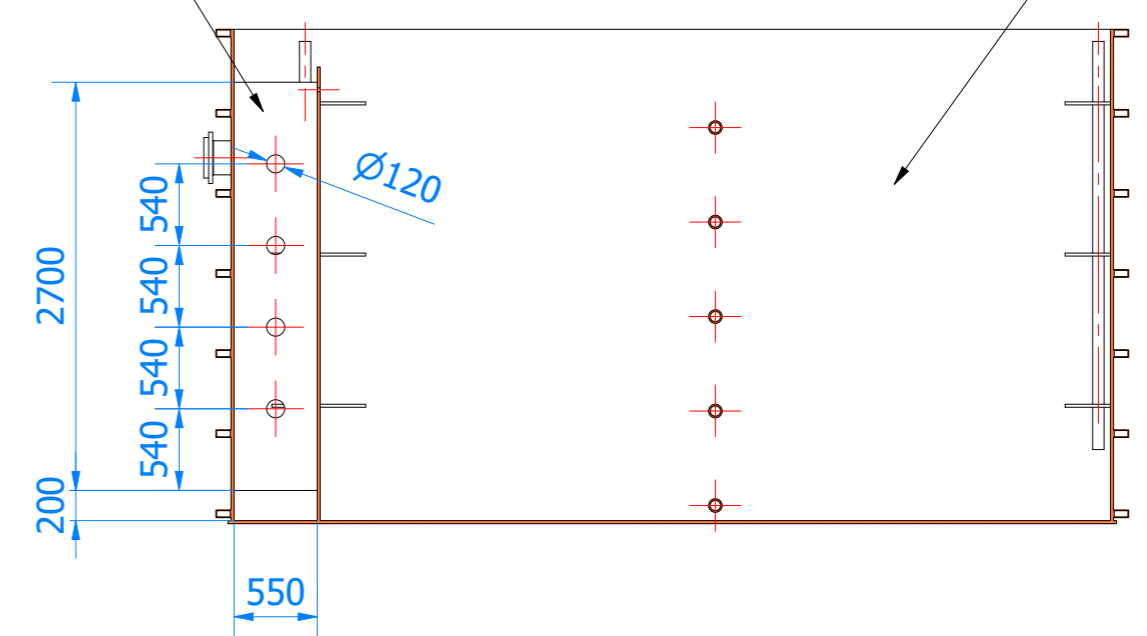
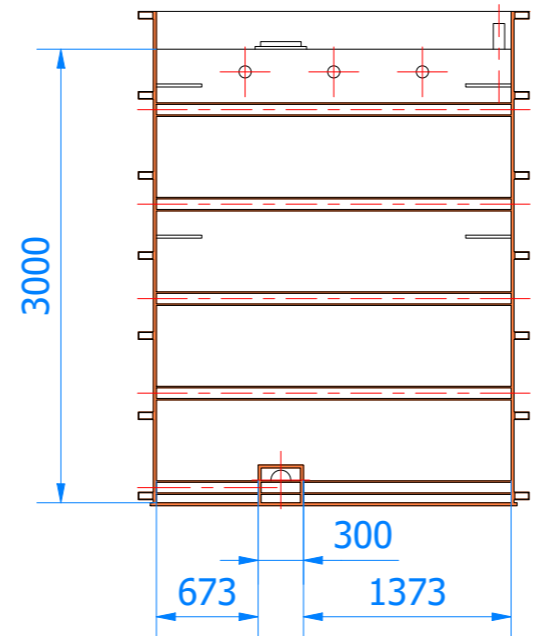
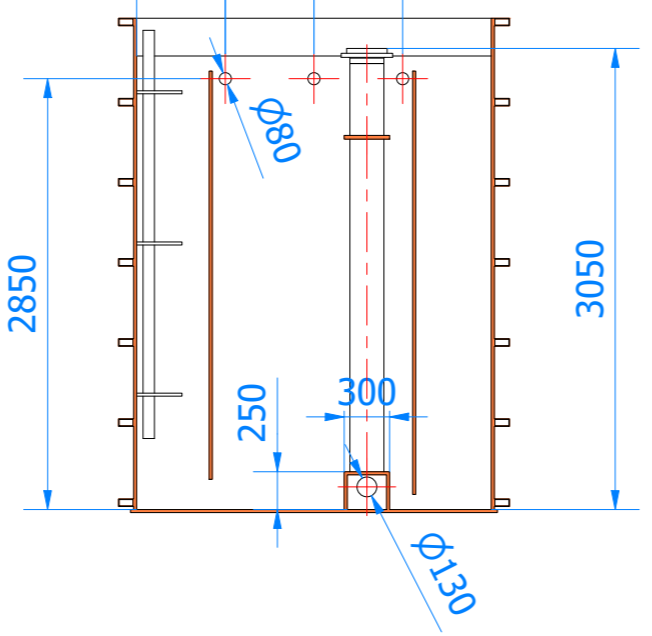
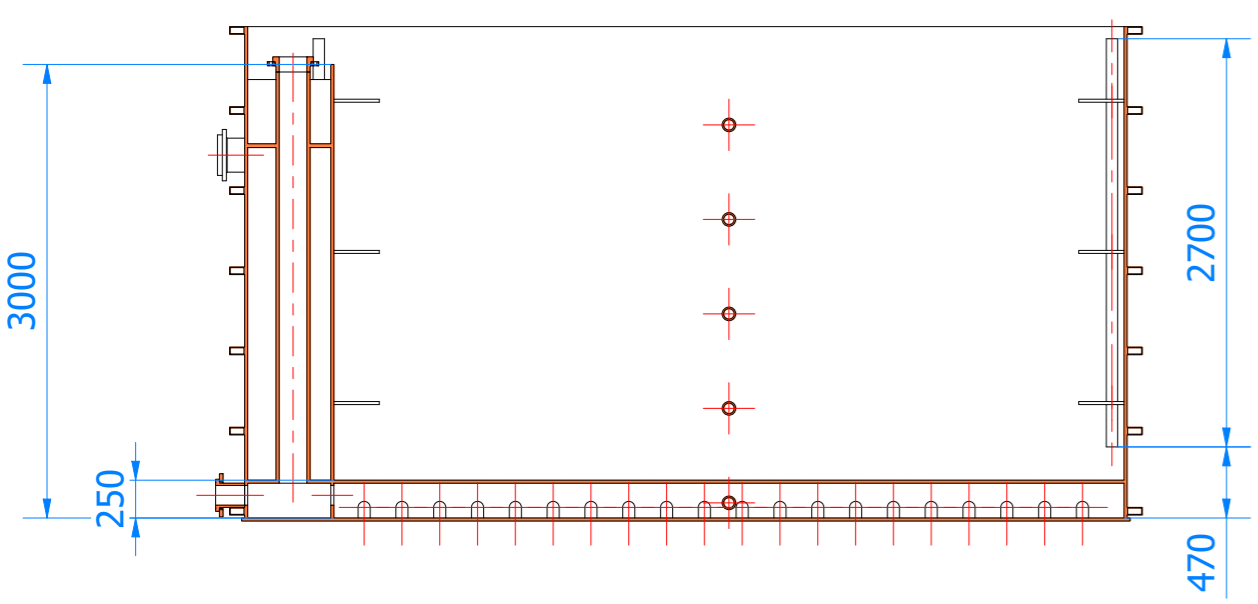


A-A (1 : 50)

B-B (1 : 50)

C-C (1 : 50)

E-E (1 : 50)



GENERAL DRAWING MEMBRANE TANK
 TANK FOR OUTSIDE INSTALLATION
 TANK MOUNTED ON FLAT CONCRETE SLAP
 MAX. LIQUID TEMPERATURE: 37°C
 MAX. LIQUID HEIGHT MEMBRANE COMPARTMENT: 3100 mm
 MIN. LIQUID HEIGHT OVERFLOW COMPARTMENT: 0 mm
 ENFORCEMENT PROFILES AND PLATES AND SUPPORTS ARE INDICATIVE ONLY & HAVE TO BE ADAPTED FOR ADEQUATE TANK STRENGTH
 CALCULATED LIFETIME: 25 YEARS

Rev	Date	Drawn	Checked	Approved	Description

ALL DIMENSIONS IN MM UNLESS OTHERWISE STATED

	Drawing N° ASS MEMBRANE TANK.iam	Description GENERAL ARRANGEMENT DRAWING MEMBRANE TANK
--	--	--