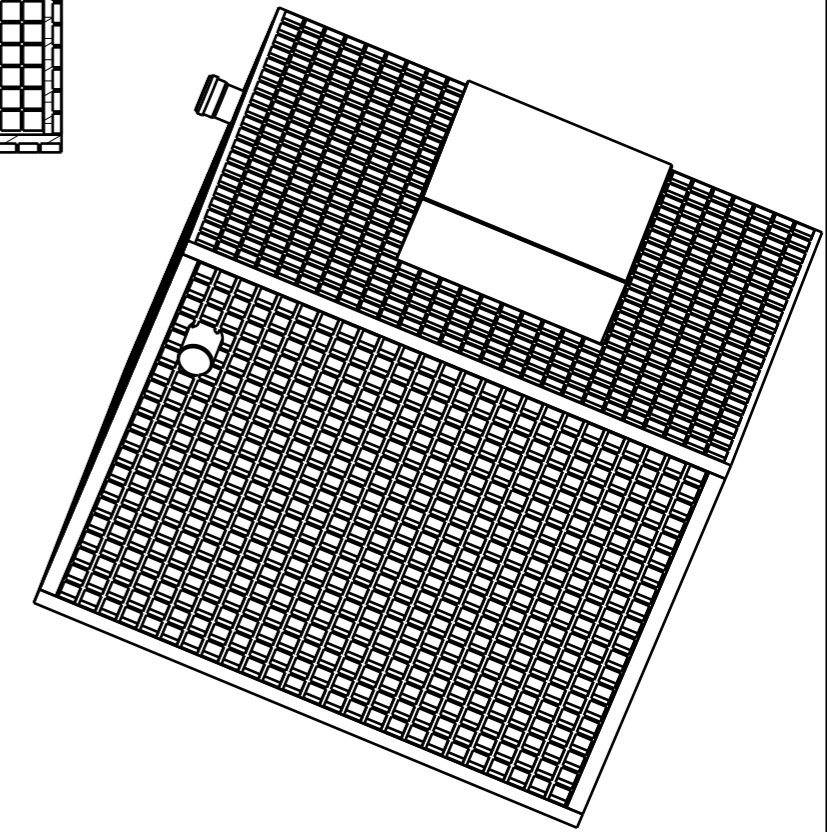
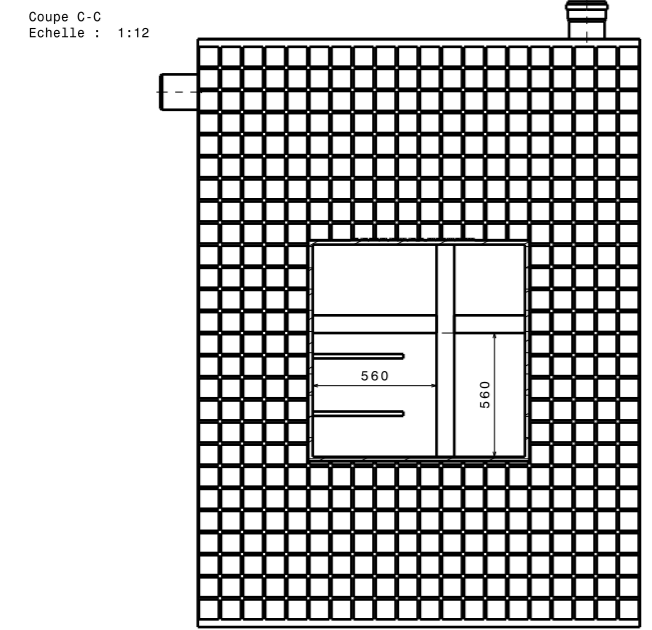
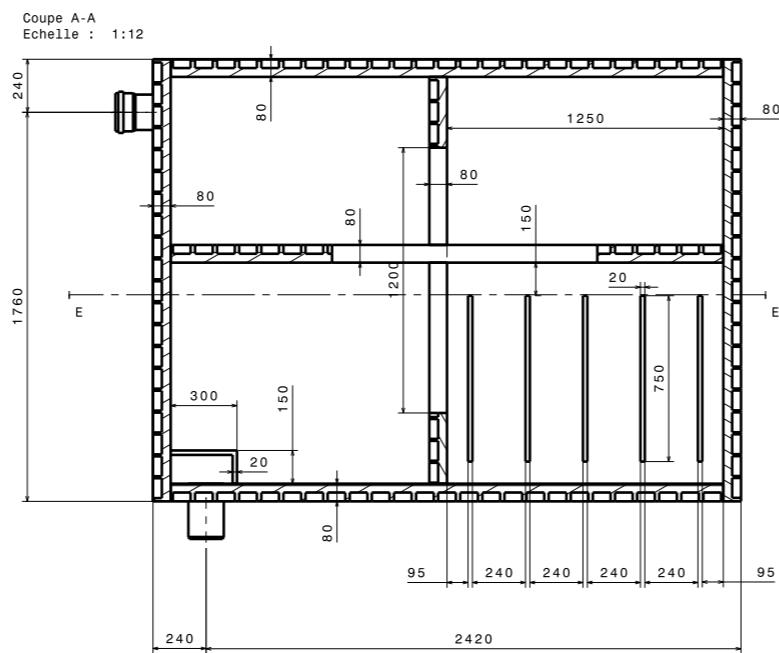
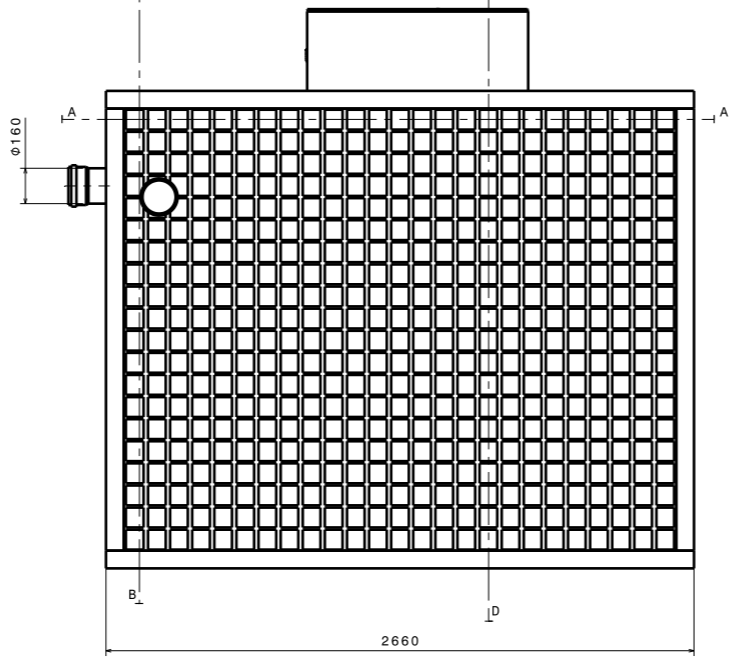
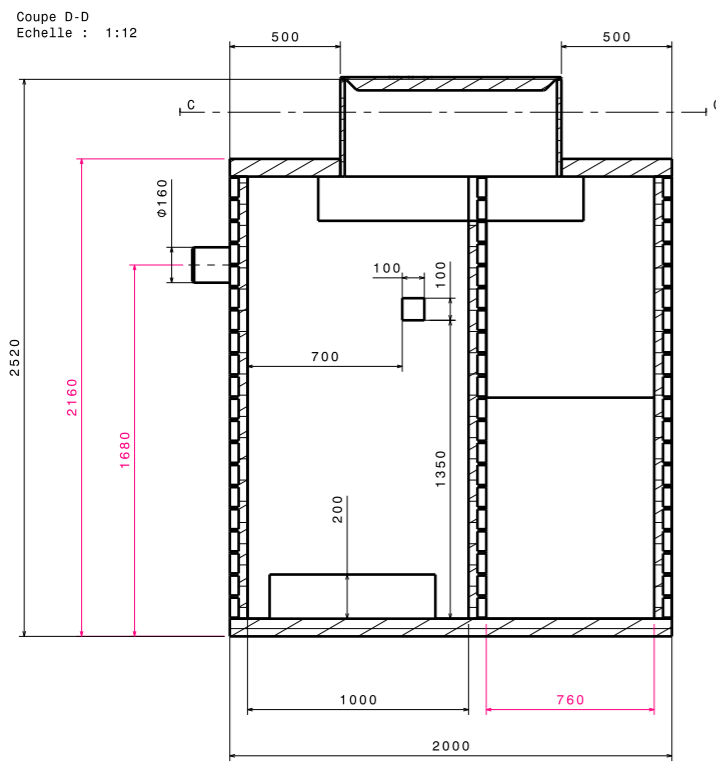
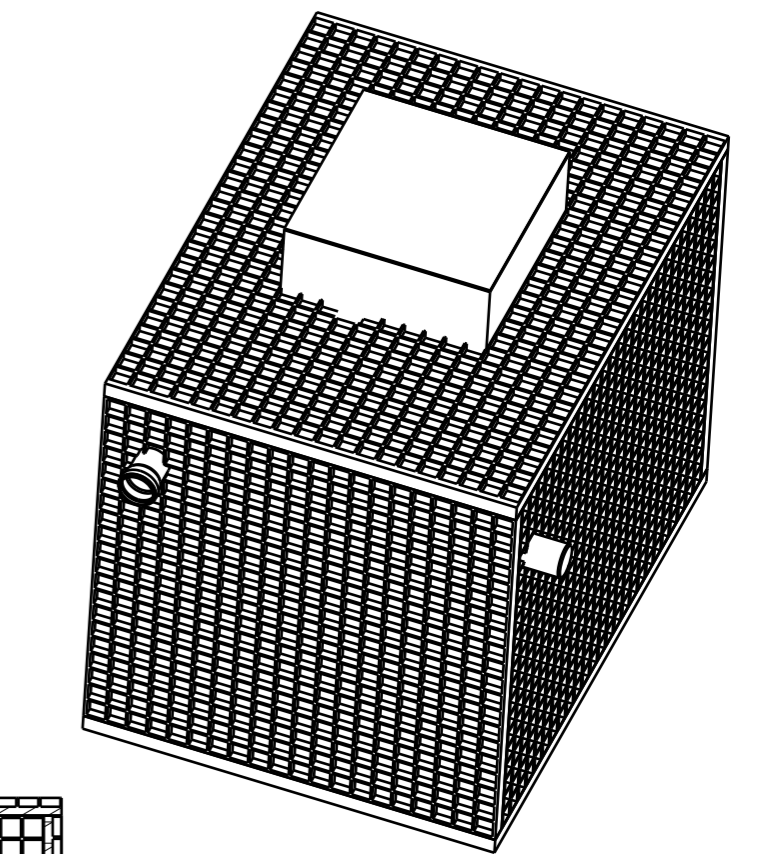
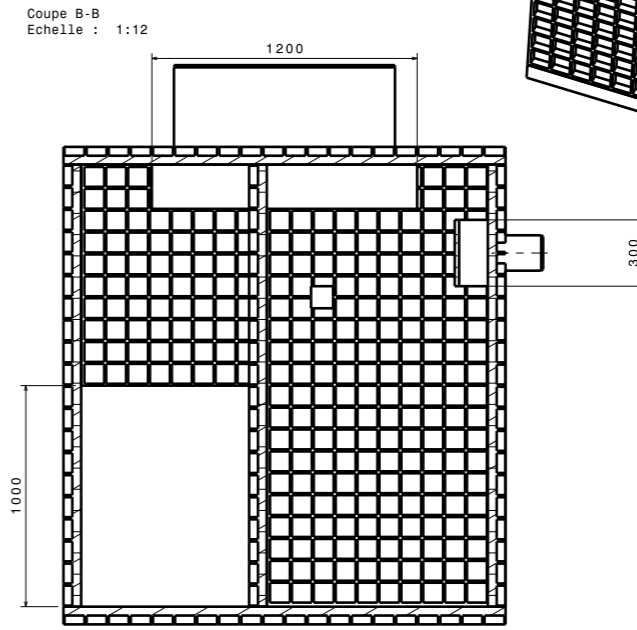
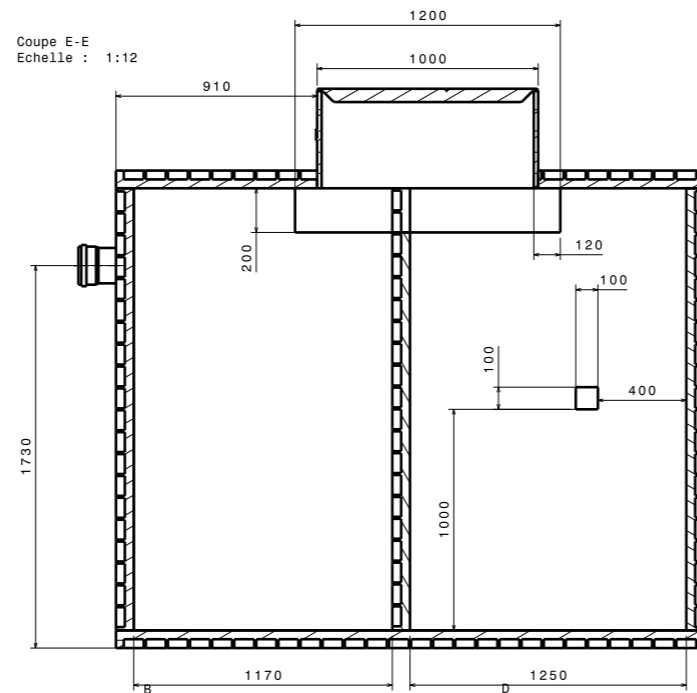


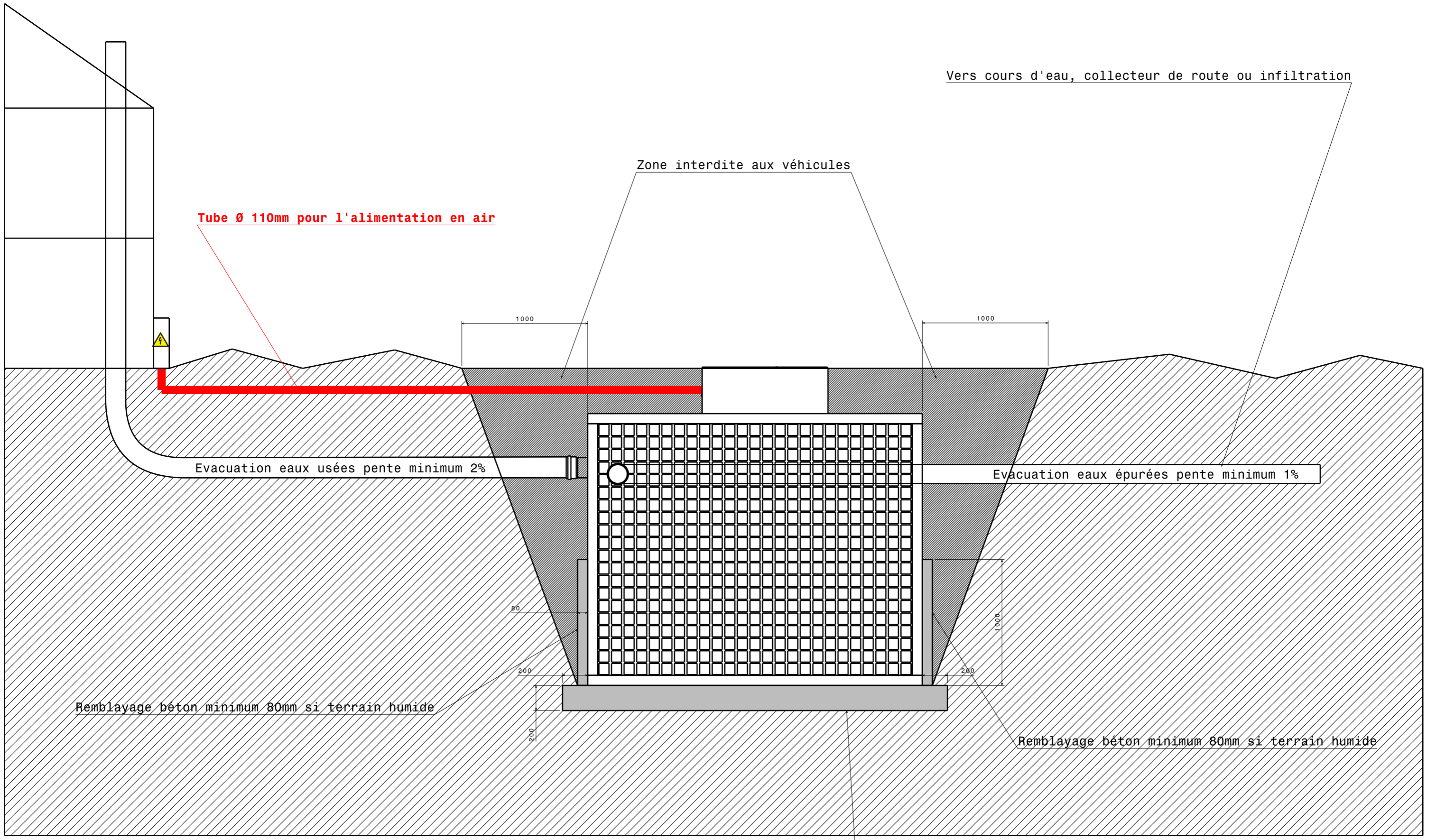
This drawing is our property. It can't be reproduced or communicated without our written agreement.		DRAWING TITLE	
WAMAX - ROSHARD		STEP BFI 12 EH CP	
DRAWN BY	DATE	SIZE	DRAWING NUMBER
DOMINIQUE	13.07.2001	A0	141 8000 AM
CHECKED BY	DATE	SCALE	WEIGHT(kg)
D. Gaillard	13.07.2001	1:10	930.21
DESIGNED BY	DATE	SHEET	1/1
D. Gaillard	13.07.2001		



Dessinateur: Dominique		DATE: 18.03.2021		I	
PROJÉCTANT: D. Gaillard		DATE: 18.03.2021		H	
ÉCHELLE: 1:12		800.38		G	
NOM: Cuve PP step BFI 12EH		951 200 004		F	
N° PROJET: 800.38		951 200 004		E	
N° DESSIN: 1/1		1/1		D	
				C	
				B	
				A	



# Plan de pose



This drawing is our property. It can't be reproduced or communicated without our written agreement.		DRAWING TITLE	
DRAWN BY	DATE	STEP BFI 12 EH CP	
D.Gaillard	13.07.2011	SIZE	DRAWING NUMBER
CHECKED BY	DATE	A0	141 8000 AM
D.Gaillard	13.07.2011	SCALE	1:10 WEIGHT(kg) 930.21
DESIGNED BY	DATE	SHEET	1/1
D.Gaillard	13.07.2011		

